

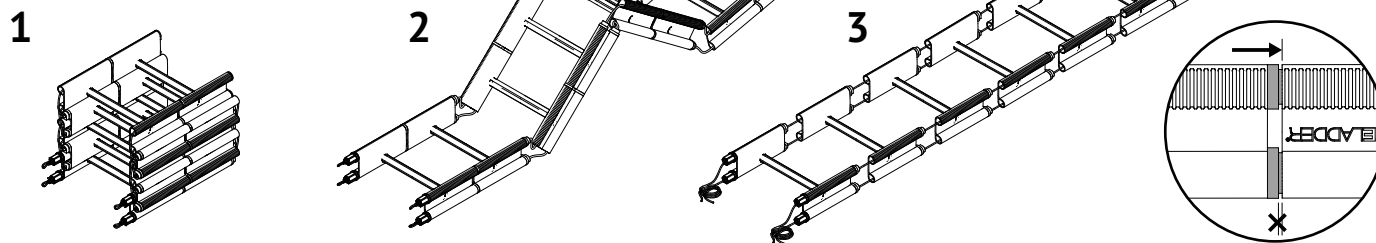
Assembly Guide

LIFELADDER[®]
by port:safety

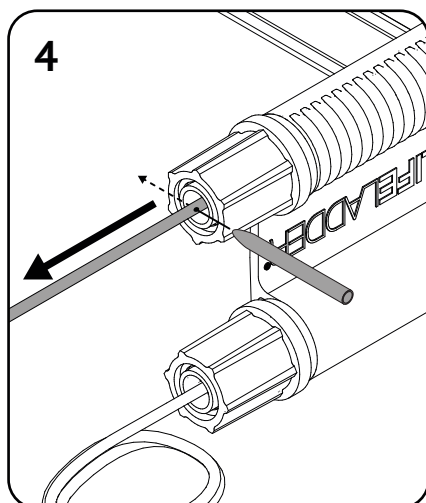
Tools needed

Splice Needle for 5 mm rope (included, one per order)
Regular Wrench (or Torque Wrench), size 35 mm or 1 3/8"

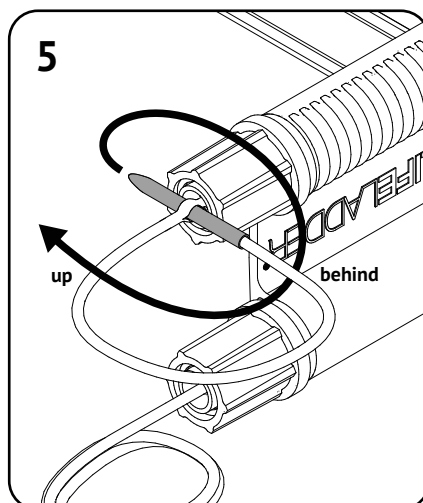
Fold out, push together



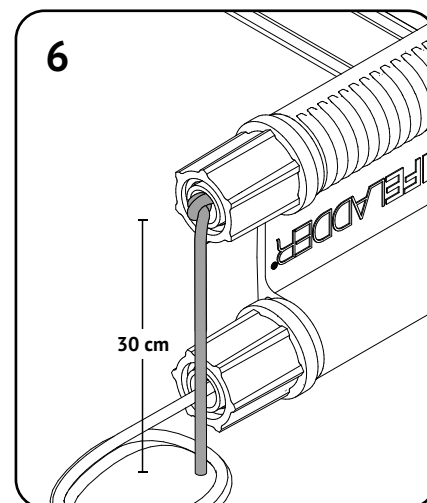
Tie knots



4
Pull rope **as hard as possible** (particularly important with long ladders). Then, pierce rope with Splice Needle next to the plastic nut.

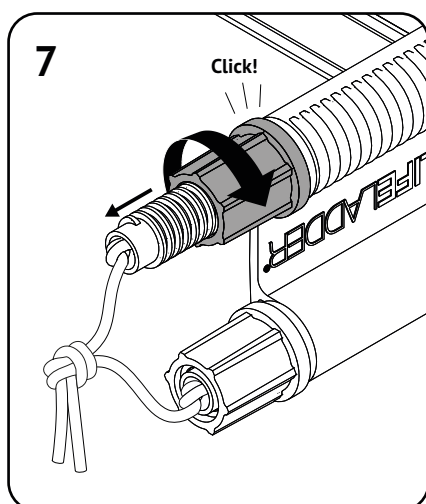


5
Use the Splice Needle to put the rope through itself. Then, guide the rope **behind** the loop and **up** through the loop to form a knot.

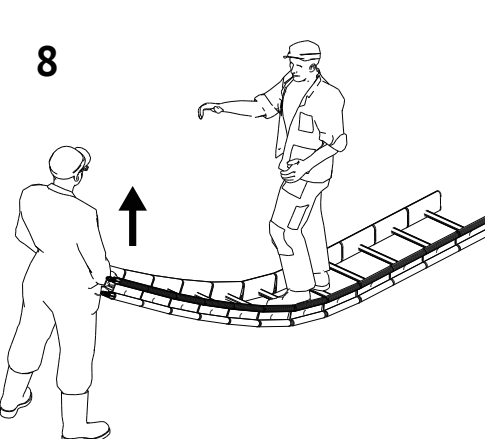


6
Tighten the knot. Cut excess rope 30 cm from knot. Repeat steps 4-6 for the other three ropes.

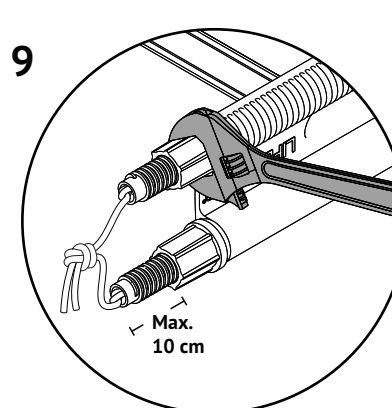
Tighten



7
Tighten plastic nuts by hand. Tie ropes together with an ordinary knot.



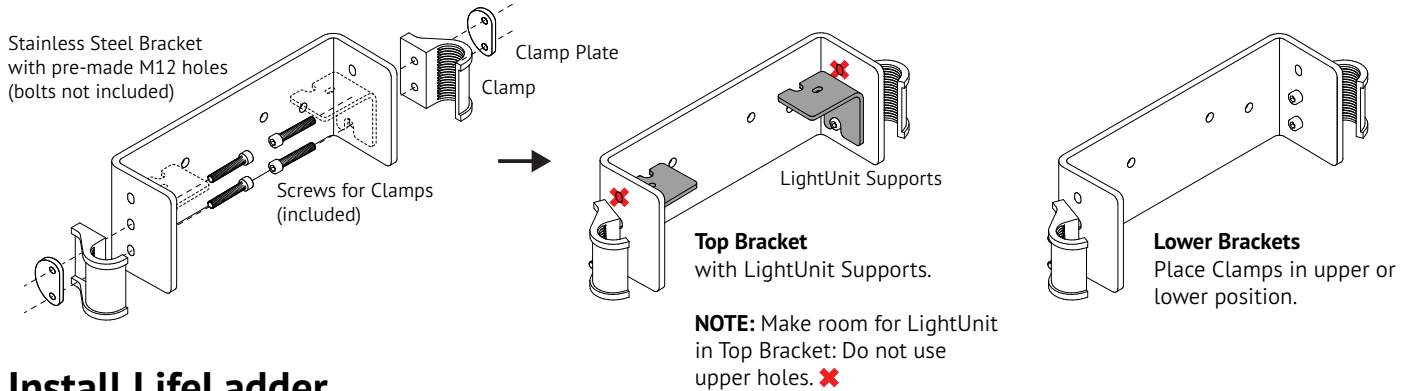
8
Bend the LifeLadder to distribute tension. *Example: One person stands on the ladder while another person lifts up the end of the ladder.* Tighten plastic nuts again. Turn the ladder over and repeat until the ladder is rigid.



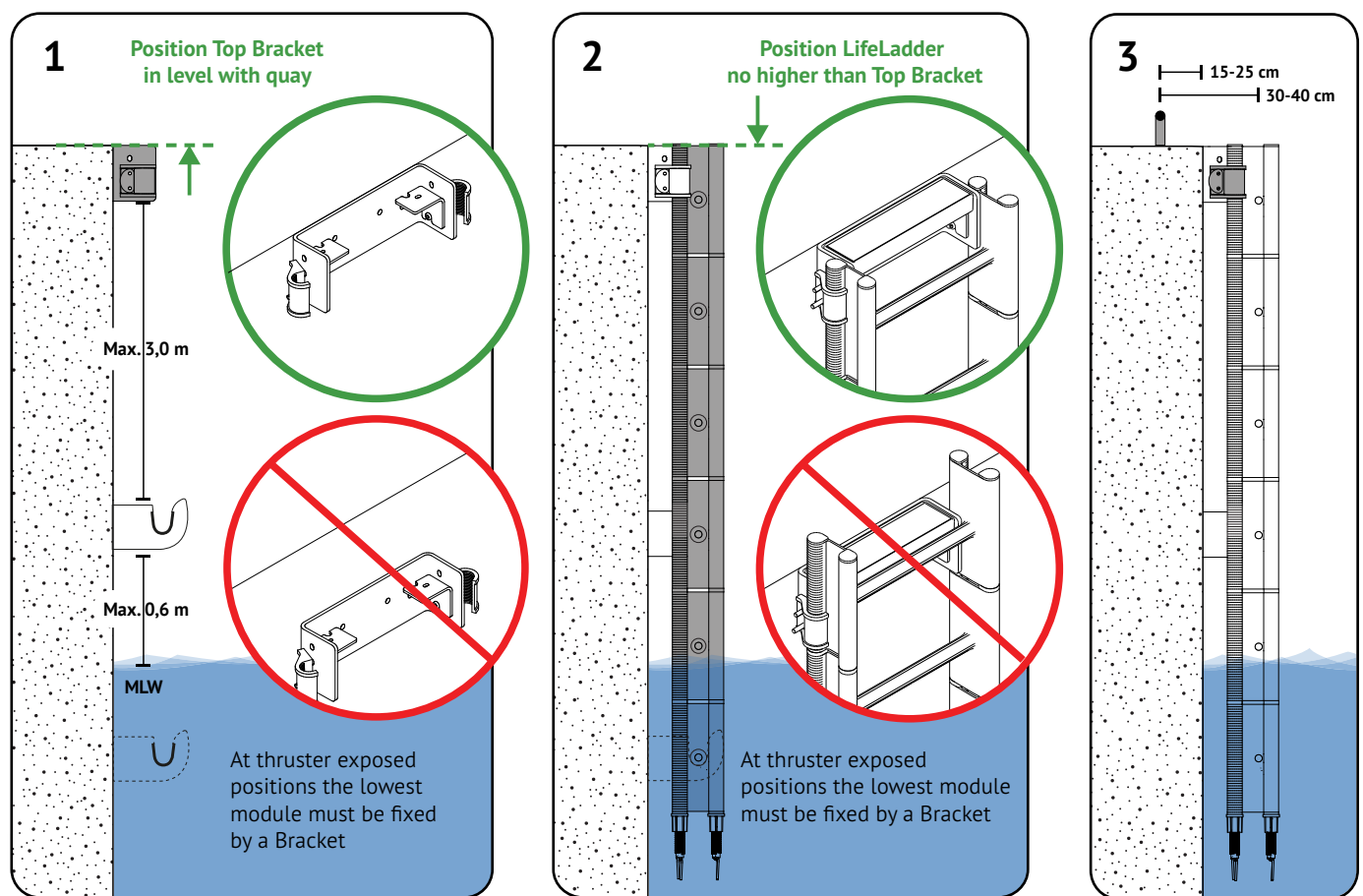
9
Finalize assembly: Use a regular wrench, apply one (1) additional "click" per ladder module. Or: Use torque wrench, tighten nuts to 20Nm. **IMPORTANT: Do not tighten nuts further than 10 cm visible thread.**

Installation Guide

Assemble Brackets



Install LifeLadder

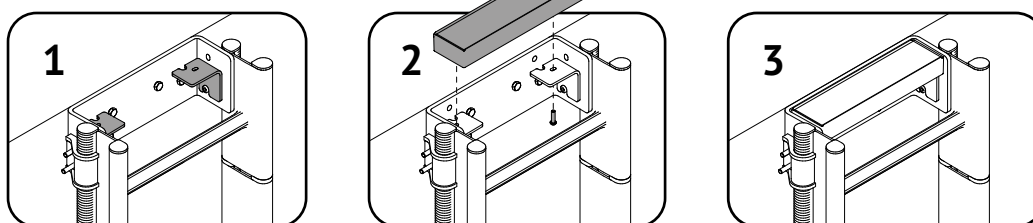


Install Brackets.

Position LifeLadder.

Tighten Clamps.
Position Handhold 15-25 cm from quay wall ~ 30-40 cm from center of LifeLadder step.

Install LightUnit



Make sure Supports for LightUnit are installed in Upper Bracket.

Unpack and fix LightUnit to the Supports with 2x Button head screws (included).

LightUnit will automatically turn on at night.

Functionality:
LightUnit charges in sunlight. Its LEDs illuminate the LifeLadder at night.

Avoid shadows:
Lack of exposure to sunlight will reduce performance and might cause LightUnit to not function during winter time.

After installation:
LightUnit may need 2 days of sunlight to 'wake up'.